

Operating Instructions



HD Image Processor-multiplexer

Please read all instructions before using the product and keep the manual for future reference.

The product may differ from the manual description according to the upgraded
S/W version or performance, and it may be altered without notice.

Contents

1. Precautions	1
2. Features and Specifications	3
3. Accessories	4
4. Parts Identification.....	5
5. Connections	6
6. Menu Operation & Functional Specification.....	8
6.1 IR Remote Control	8
6.2 Menu Operation	10
6.2.1 Desktop	10
6.2.2 Home Menu	11
6.2.3 Volume Menu.....	11
6.2.4 Mode Menu	12
6.2.5 Setting	14
6.2.5.1 Camera	14
6.2.5.2 Parking Line	16
6.2.5.3 Language	17
6.2.5.4 Trigger.....	18
6.2.5.5 Auto Scan.....	20
6.2.5.6 Power On	21
6.2.5.7 Standard.....	22
6.2.5.8 ACC.....	23
6.2.5.9 System	24

1. Precautions

● Storage and Keeping

- 1) Do not expose this device to excessive heat or cold. The storage temperature of this device is $-30\sim+80^{\circ}\text{C}$, and the operating temperature is $-20\sim+70^{\circ}\text{C}$.
- 2) Avoid dropping or striking this device.
- 3) Avoid using this device in enclosed spaces, areas with excessive vibration or subject to severe impacts.
- 4) Never puncture, scratch or use abrasive cleaning materials on this device.
- 5) Do not place cables where they may be pinched or stepped on.
- 6) Leave at least a 2" space between this device and walls, cabinets or other objects to allow adequate air circulation around the device.

● Operating Precautions

- 1) The device can be powered by DC power 10V ~ 32V (e.g. 12V or 24V ACC).
- 2) Make sure all cables are connected properly, and check the polarity, as improper cable connections may damage the monitor. Remove the power cable connections when you do not intend to use the device.



Warning!

1. High voltage is present within this device. The opening of the case should be by professionals.
2. Do not watch the video while driving unless you are monitoring the display.





Special Notice

Never try to repair this device by yourself. In case of any problems, please turn off this device at once and notify our company or the authorized dealer. This device is a complex device, and any disassembly or modification may lead to damage and void the warranty.

● Maintenance

- 1) Remove all the cable connections from this device before cleaning.
- 2) Use a mild household detergent and clean the unit with a slightly damp, soft cloth.
- 3) Never use strong solvents such as thinner or benzine, as they might damage the finish of the device.

	Caution	
	Risk of electric shock Do not open	
<p>Caution: To reduce the risk of electric shock, Do not remove cover (or back). No user-serviceable parts inside. Refer servicing to qualified service personnel.</p>		



This symbol is intended to alert the user to the presence of uninsulated "dangerous voltage" within the product's enclosure that may be of sufficient magnitude to constitute risk of electric shock to persons.



This symbol is intended to alert the user to the presence of important operating and maintenance (servicing) instructions in the literature accompanying the appliance.



This symbol is intended to alert the user to disposing of electrical and electronic items in separate collection facilities for recovery and recycling.

CAUTION

You are cautioned that any changes or modifications not expressly approved in this manual could void your warranty and necessitate expensive repairs.

2. Features and Specifications


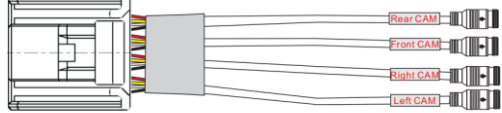
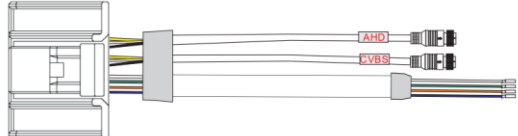

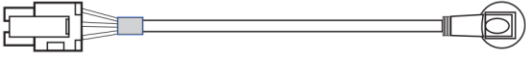
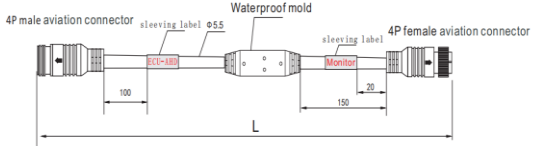
- 1) Support four HD camera inputs and split-view display mode.
- 2) Multiple video formats available: 1080P30/1080P25/720P30/720P25/PAL/NTSC.
- 3) Support two video outputs, one is CVBS output and the other is AHD output.
- 4) Single, dual, triplex, quad, trefoil, Y-split and PIP view display modes available.
- 5) Each channel supports independent image adjustment for horizontal-mirror, vertical-mirror view display.
- 6) Four trigger wires, with trigger display image, delay and priority adjustable.
- 7) Support auto scanning, with scanning sequence and duration editable.
- 8) Adjustable parking lines.
- 9) Multiple languages available.
- 10) Wide voltage input: 10 ~ 32V; Support 12V or 24V automobile battery.
- 11) Easy installation and convenient operation, with innovative functions.
- 12) Applicable to indoor / outdoor security systems, vehicle and ship surveillance.



Special Notice

Accessory supply may vary due to different application.

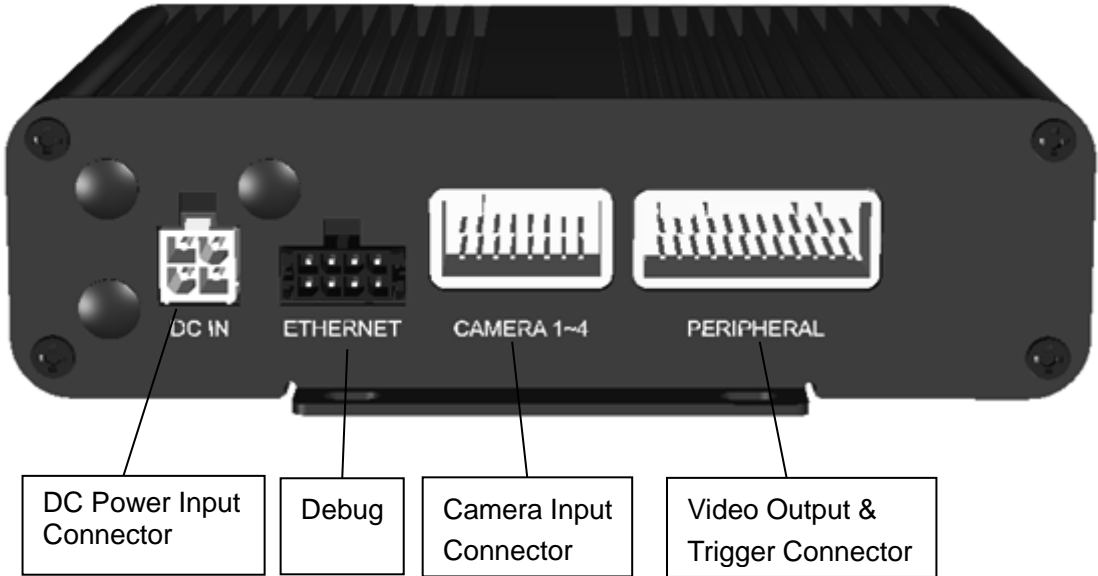
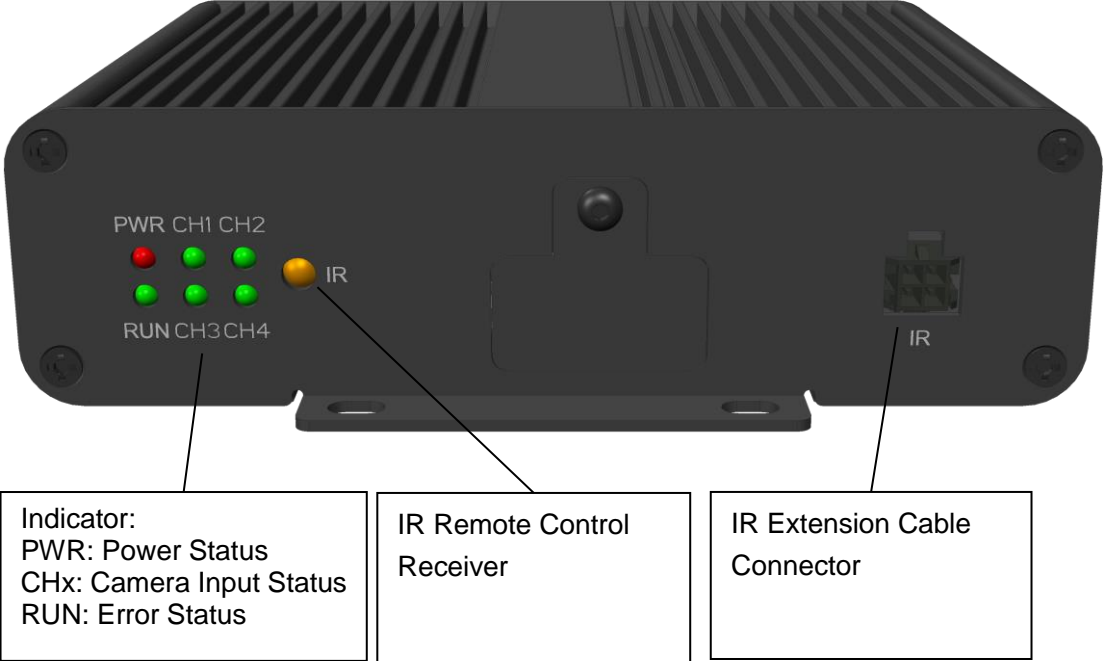
3. Accessories

 <p>A power cable with a standard power plug on one end and a multi-colored wire bundle on the other.</p> <p>Power Cable</p>	 <p>A camera input cable with a multi-pin connector on one end and four individual connectors labeled Rear CAM, Front CAM, Right CAM, and Left CAM on the other.</p> <p>Camera Input Cable</p>
 <p>A video output and trigger cable with a multi-pin connector on one end and two individual connectors labeled AHD and EYBS on the other.</p> <p>Video Output & Trigger Cable</p>	 <p>A green IR remote control with various buttons including MUTE, POWER, UP, DOWN, VOL, MENU, and MODE.</p> <p>IR Remote Control</p>
 <p>An IR extension cable with a multi-pin connector on one end and a circular IR emitter on the other.</p> <p>IR Extension Cable</p>	 <p>A video magnification line with a 4P male aviation connector on one end, a waterproof mold in the middle, and a 4P female aviation connector on the other. Dimensions include 100, 150, and 20, and a diameter of 5.5.</p> <p>Video Magnification Line</p>

 **Special Notice**

Accessories may be different for corresponding application.

4. Parts Identification

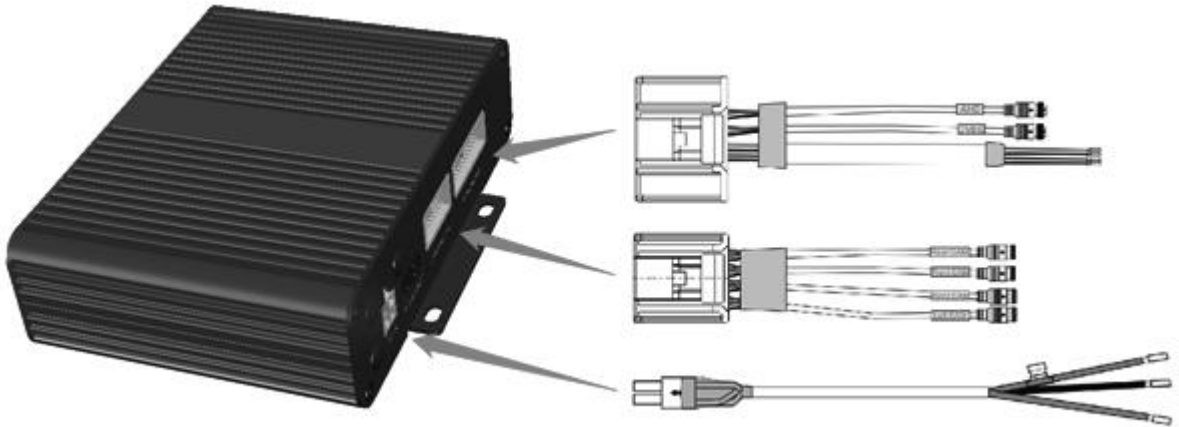


5. Connections

Connect the Power cable to the DC Power Input connector.

Connect the Camera input cable to the Camera input connector.

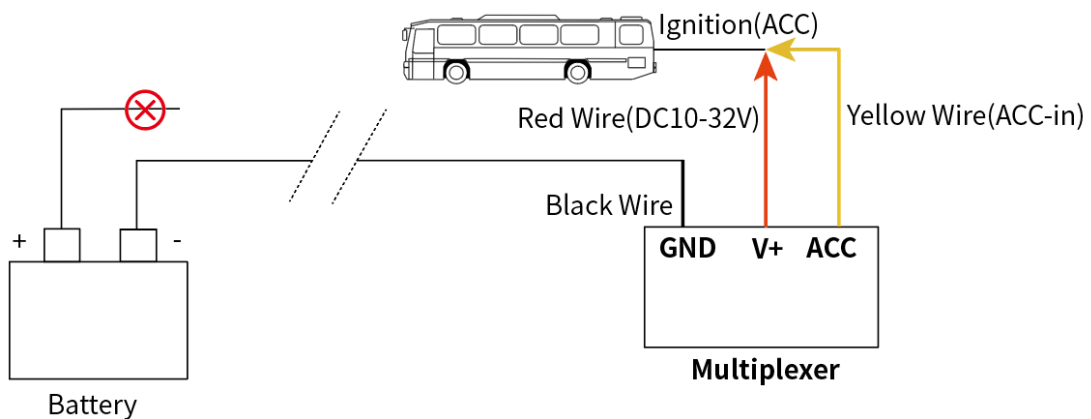
Connect the Video output & Trigger cable to the Video output & Trigger connector.



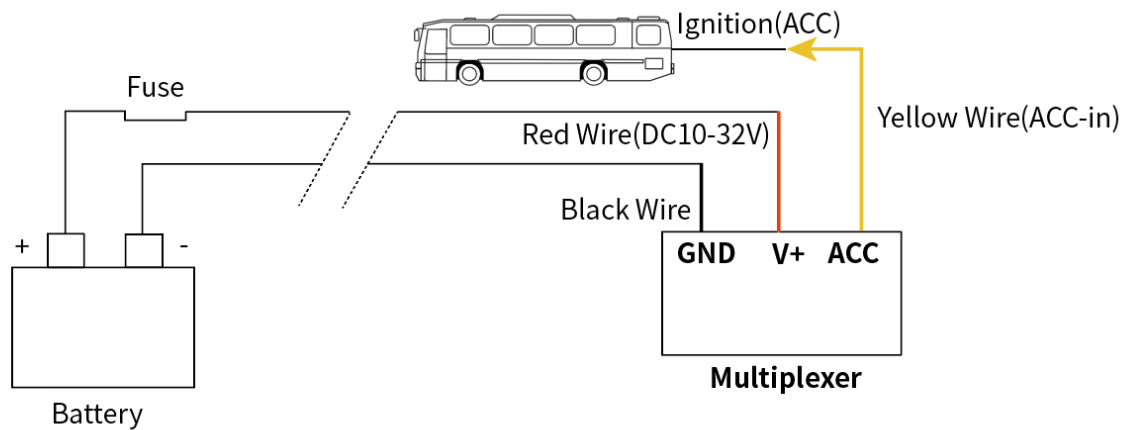
Pic.5-1

Power Cable:

- 1) For program versions earlier than 20240726, the red wire (V+) and the yellow wire (ACC) must be connected to the ignition signal (10-32V) together, see Pic.5-2. Special note: V+ cannot be connected to the battery, otherwise it will continue to consume battery power!
- 2) For program versions after 20240726, the red wire (V+) and the yellow wire (ACC) can be connected to the ignition signal (10-32V) together, , see Pic.5-2, or the red wire (V+) can be connected to the battery and the yellow wire (ACC) to the ignition, see Pic.5-3.
- 3) Connect black wire to GND.



Pic.5-2



Pic.5-3

Camera Input Cable:

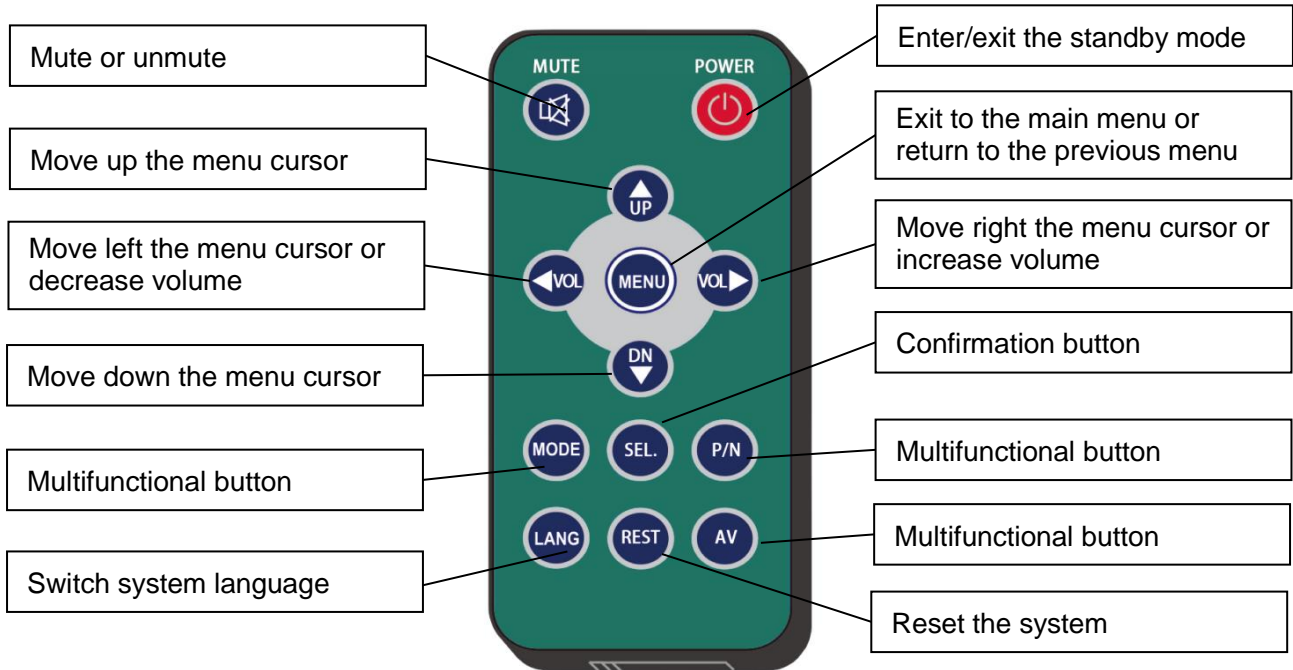
- 1) Connect 4Pin male connector with label "Left CAM" to camera 1.
- 2) Connect 4Pin male connector with label "Right CAM" to camera 2.
- 3) Connect 4Pin male connector with label "Front CAM" to camera 3.
- 4) Connect 4Pin male connector with label "Rear CAM" to camera 4.

Video Output & Trigger Cable:

- 1) Connect white trigger wire to positive power wire of camera 1.
- 2) Connect blue trigger wire to positive power wire of camera 2.
- 3) Connect green trigger wire to positive power wire of camera 3.
- 4) Connect brown trigger wire to positive power wire of camera 4.
- 5) Connect both ends of the video amplifier cable of the 4-pin male connector labeled "ECU-AHD" to the host computer and the AHD monitor, respectively.
- 6) Connect 4Pin male connector with label "CVBS" to SD monitor.

6. Menu Operation & Functional Specification

6.1 IR Remote Control



Pic.6.1

- **MUTE:**
Mute or unmute the multiplexer.
- **Power:**
Enter or exit the standby mode.
- **VOL ▷:**
Open the volume adjustment menu.
Move the red box in the magnified mode.
Move the displayed place of the magnified image.
Move the menu cursor.
- **◁ VOL:**
Open the volume adjustment menu.
Move the red box in the magnified mode.
Move the displayed place of the magnified image.

Move the menu cursor.

- UP:

Switch the channel without special mode such as auto scan and trigger function turned on.

Move the red box in the magnified mode.

Move the displayed place of the magnified image.

- DN:

Switch the channel without special mode such as auto scan and trigger function.

Move the red box in the magnified mode.

Move the displayed place of the magnified image.

- P/N:

Shrink the red box if the red box is shown in the magnified mode.

- LANG:

Switch to different languages on some menus.

- REST:

Reset the system.

- AV:

Magnify the red box if the red box is shown in the magnified mode.

- SEL:

Enter the menu which the cursor selects.

Show/hide a red box to magnify the displayed area when in single view display mode and without special mode such as auto scan or trigger function turned on.

Magnify the image to full screen when the red box is shown in the magnified mode.

- MENU:

Return the magnified image to normal size when the green box is shown in the magnified mode.

6.2 Menu Operation

6.2.1 Desktop

IR Instructions:

- ◀VOL or VOL▶: Increase/ reduce the volume.
- MENU: Press for 3s to enable/disable the menu lock; short press to get access to home menu.
- UP / DOWN: Switch display mode.

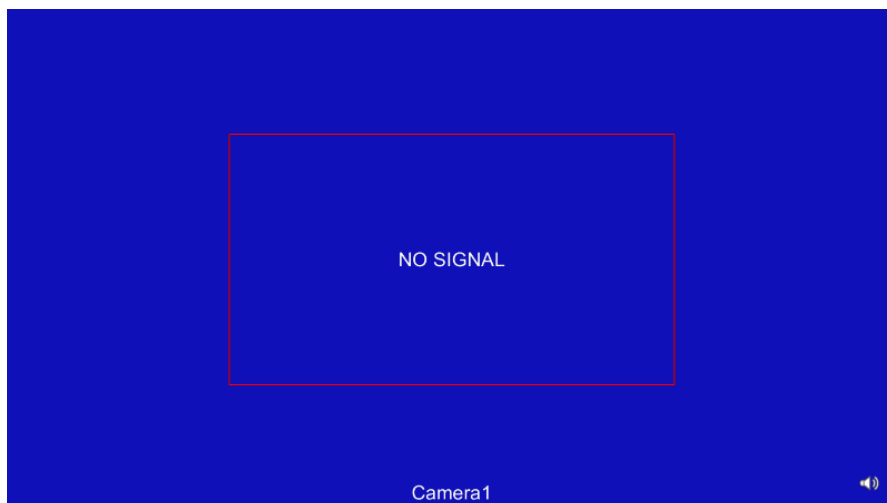
When special mode like auto scan or trigger function is off, pressing UP key can switch display mode in following order:

SPLIT->Y-SPLIT->TREFOIL->TRIPLE->DUAL->CAM4->CAM3->CAM2->CAM1->PIP3->
PIP2->PIP1->QUAD

If user press DN key, it will be switched in the opposite order.

Other Instructions:

- When the device is in single view display and not in special mode like auto scan or trigger function, pressing SEL key can pop up the red zoom box.
- Pressing ◀VOL / VOL▶ / UP / DOWN key can move red box's position and pressing P/N or AV key can zoom in or zoom out the red box.
- Press MENU key to exit zooming.

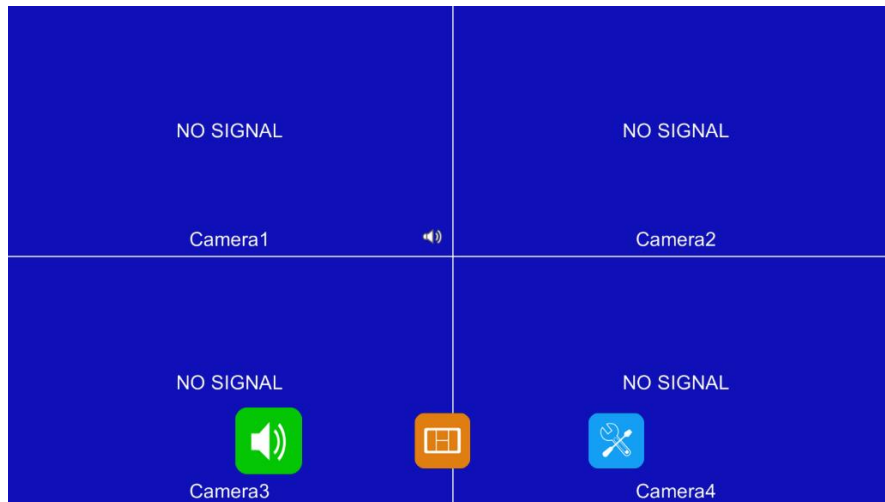


Pic.6.2.1

6.2.2 Home Menu

IR Instructions:

- MENU: Enter or exit home menu.
- ◀VOL or VOL▶: Move the cursor.
- SEL: Select the icon to enter sub menu.



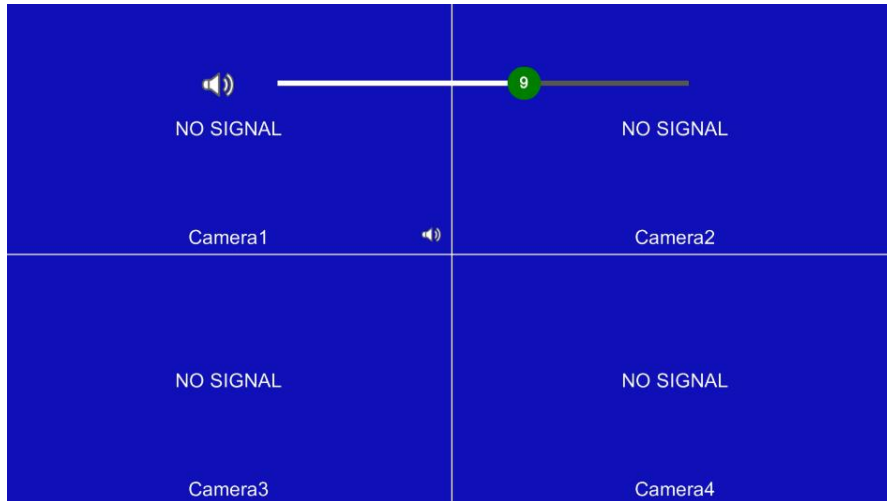
Pic.6.2.2

6.2.3 Volume Menu



IR Instructions:

- ◀VOL or VOL▶: Decrease or increase volume.
- MUTE: Mute or unmute the multiplexer.
- MENU: Return to the previous menu.




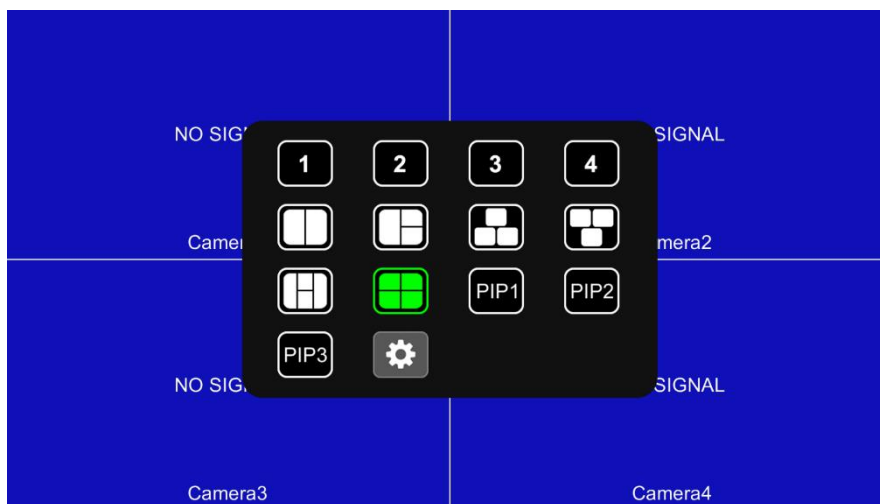
Pic.6.2.3

6.2.4 Mode Menu



IR Instructions:

- ◀VOL / VOL▶ / UP / DOWN: Move the cursor.
- SEL: Select the preview mode. If icon  is selected, it will enter Split Setup menu when in split-view display mode.
- MENU: Return to the previous menu.

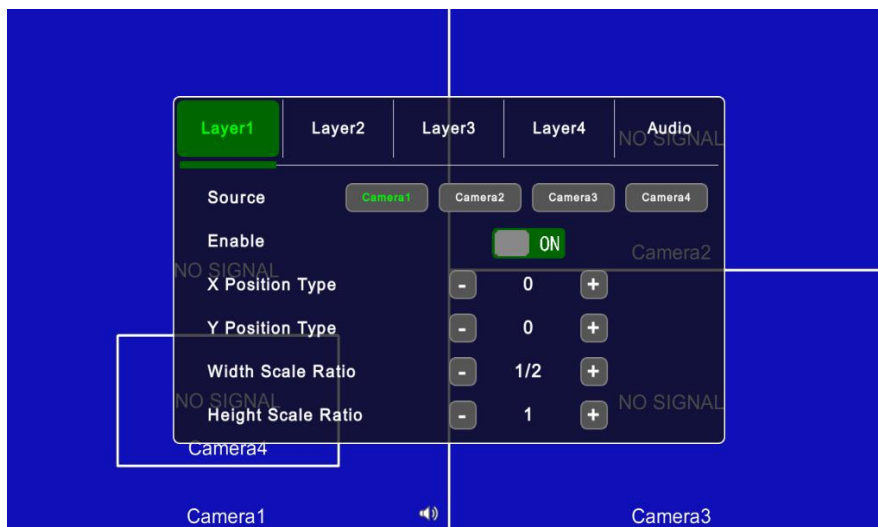


Pic.6.2.4

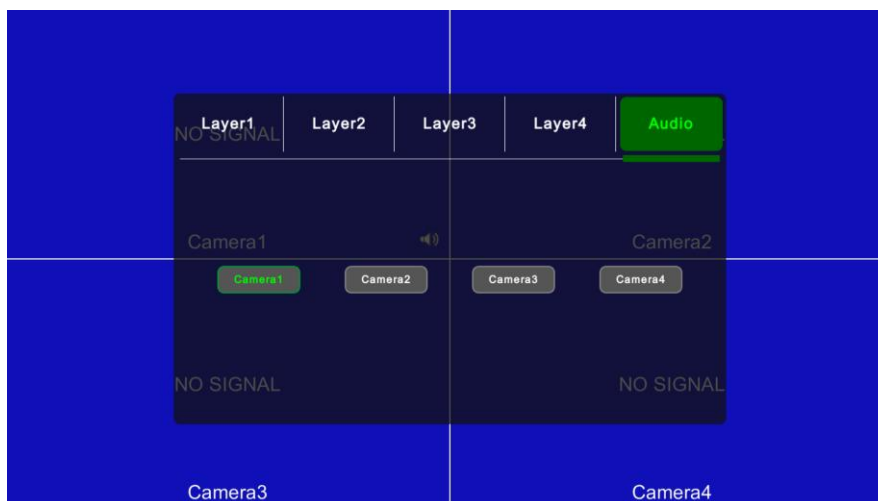
6.2.4.1 Split Setup Menu

IR Instructions:

- **◀VOL/VOL▶**: To change the corresponding features of the layer when setting up Layer 1-4; to move the cursor when setting up Audio.
- **UP / DOWN**: Cursor switch.
- **MENU**: Return to the previous menu.
- **SEL**: Select camera channel and audio output channel.



Pic.6.2.4.1-1



Pic.6.2.4.1-2

Features instructions:

- **Source**: The camera channel being displayed of the layer.
- **Enable**: If the layer is displayed.

The following features are only available when in PIP1/2/3 view display mode:

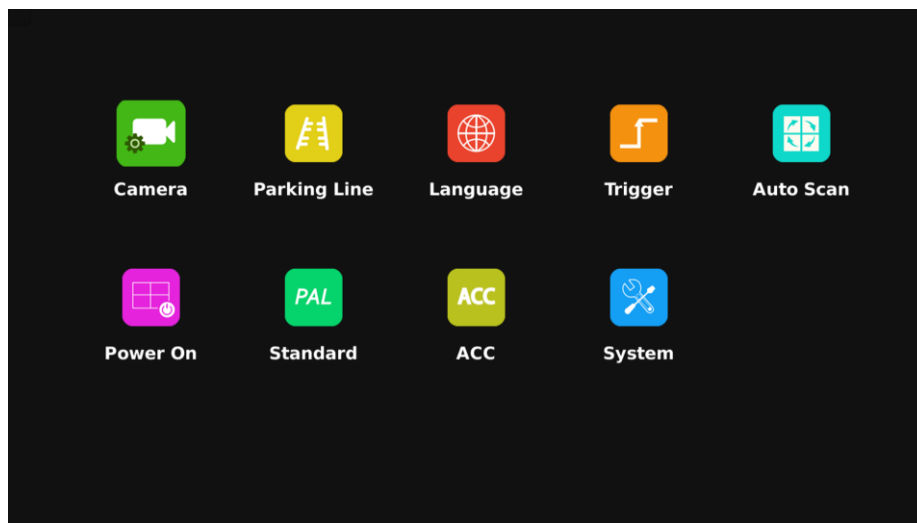
- **Width Scale Ratio:** The horizontal down scale ratio of the layer.
- **Height Scale Ratio:** The vertical down scale ratio of the layer.
- **X Position Type:** The horizontal position of the layer.
- **Y Position Type:** The vertical position of the layer.
- **Output Channel:** Audio output channel.

6.2.5 Setting



IR Instructions:

- ◀VOL / VOL▶ / UP / DOWN: Move the cursor.
- SEL: Enter the sub menu.
- MENU: Return to the previous menu.

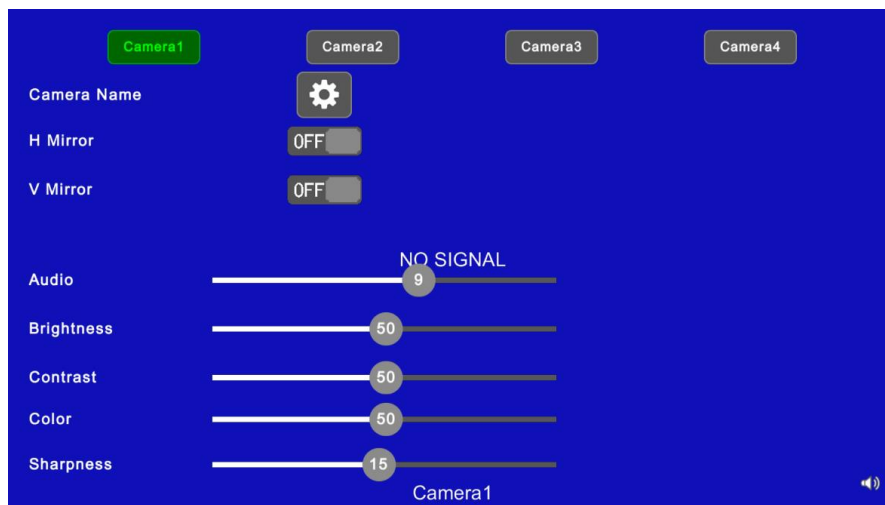


Pic.6.2.5

6.2.5.1 Camera

IR Instructions:

- ◀VOL / VOL▶: Move the cursor to switch camera input or increase / decrease volume.
- SEL: Select camera input.
- UP / DOWN: Switch and move the cursor.
- MENU: Return to the previous menu.



Pic.6.2.5.1

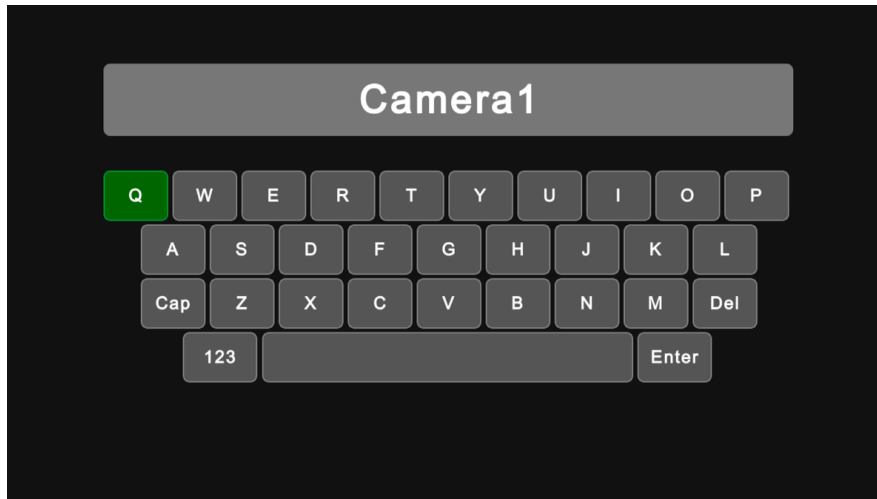
Features Instructions:

- **Camera Name:** Camera channel name.
- **H Mirror:** Horizontal mirror.
- **V Mirror:** Vertical mirror.
- **Audio:** Volume of the camera channel. Each camera channel has its own volume setting (when under mute mode, the operation of Audio adjustment will cancel the mute).
- **Brightness:** Brightness of the image.
- **Contrast:** Contrast of the image.
- **Color:** Saturation of the image.
- **Sharpness:** Sharpness of the image.

6.2.5.1.1 Keyboard (show up when editing channel name)

IR Instructions:

- ◀VOL / VOL▶ / UP / DOWN: Move the cursor.
- SEL: Click the chosen icon.
- MENU: Go back to the Camera menu without saving.
- MODE: Switch the keyboard mode, low-case letters->special numerical character 1->special numerical character 2->capital letters->low-case letters.
- RESET: Delete characters when editing.



Pic.6.2.5.1.1

Other Instructions:

Following keys are special for:

- **Caps**: Switch between capital/low-case letters.
- **123**: Switch to special numerical character 1 and 2.
- **Del**: Delete the last letter before the edit box.
- **ENTER**: Save the revised channel name, and go back to Camera menu.

6.2.5.2 Parking Line

IR Instructions:

- ◀VOL / VOL▶ / UP / DOWN: Move the cursor.
- SEL: Enter the calibrate menu or change the state of ON/OFF/AUTO.
- MENU: Return to the previous menu.

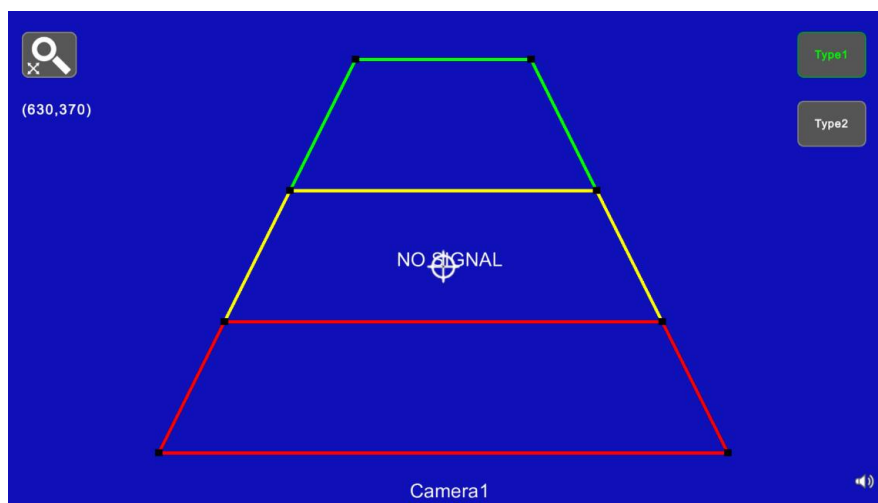


Pic.6.2.5.2

6.2.5.2.1 Calibration

IR Instructions:

- ◀VOL / VOL▶ / UP / DOWN: Move the parking line.
- MODE: Magnify the parking line.
- LANG: Shrink the parking line.
- P/N: Switch the parking line focuses.
- RESET: Return to the default configuration.
- AV: Switch parking line types.
- MENU: Return to the previous menu.



Pic.6.2.5.2.1

6.2.5.3 Language

IR Instructions:

- ◀VOL / VOL▶ / UP / DOWN: Move the cursor.
- SEL: Confirm and switch system language.
- MENU: Return to the previous menu.
- LANG: Switch system language.

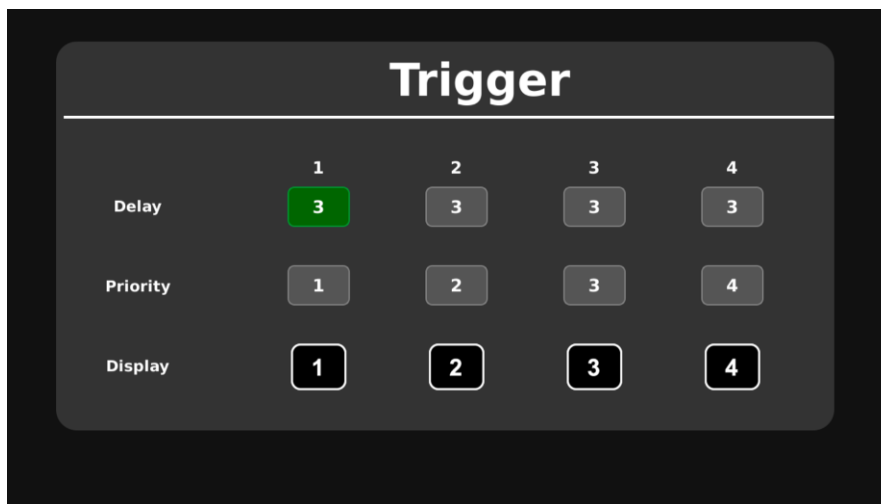


Pic.6.2.5.3

6.2.5.4 Trigger

IR Instructions:

- ◀VOL / VOL▶ / UP / DOWN: Move the cursor.
- SEL: Pop up the edit menu.
- MENU: Return to the previous menu.



Pic.6.2.5.4

Feature Instructions:

- **Delay:** Image display will last for a few seconds (0-60s) after trigger signal disappears.
- **Priority:** Settings of trigger priorities. Trigger in higher priority has priority over trigger in lower priority. The range of the priorities is 1 to 4. The smaller the number it is, the higher the priority it has.

- **Display:** Settings of corresponding trigger display image.

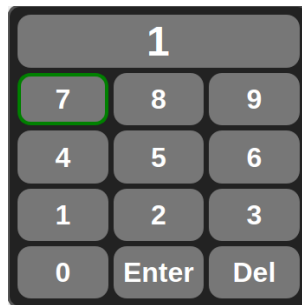
Other Instructions:

- Trigger function can interrupt auto scan function.
- When the trigger signal is received, the multiplexer will switch into the trigger display image automatically and resume the previous state before the trigger occurs after delay time.
- Support for detecting triggers in standby mode

6.2.5.4.1 Delay

IR Instructions:

- ◀VOL / VOL▶ / UP / DOWN: Move the cursor.
- SEL: Select the chosen number.
- MENU: Return to the previous menu without saving.



Pic.6.2.5.4.1

Other Instructions:

- Input number will turn to 60 if it is larger than 60.
- **Enter:** Save input. Number input in “Delay” will be saved if return to previous menu.
- **Del:** Delete number.

6.2.5.4.2 Priority

IR Instructions:

- ◀VOL / VOL▶: Move the cursor.
- SEL: Select the chosen priority.
- MENU: Return to the previous menu and save.

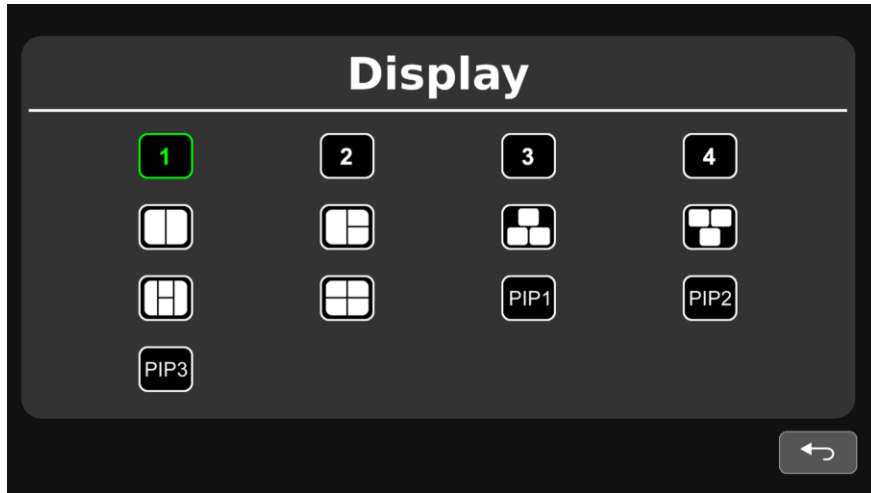


Pic.6.2.5.4.2

6.2.5.4.3 Display

IR Instructions:

- ◀VOL / VOL▶ / UP / DOWN: Move the cursor.
- SEL: Select the chosen icon.
- MENU: Return to the previous menu and save.

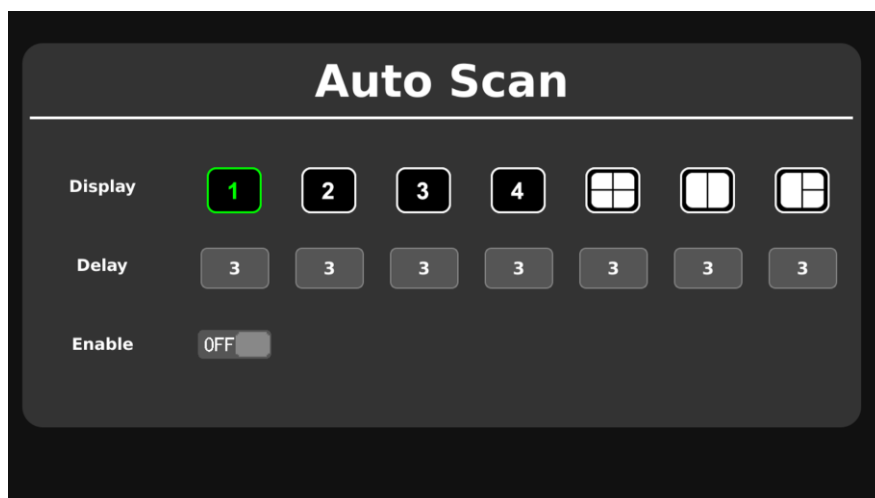


Pic.6.2.5.4.3

6.2.5.5 Auto Scan

IR Instructions:

- ◀VOL / VOL▶ / UP / DOWN: Move the cursor.
- SEL: Pop up the edit menu or change the state of ON/OFF icon.
- MENU: Return to the previous menu.

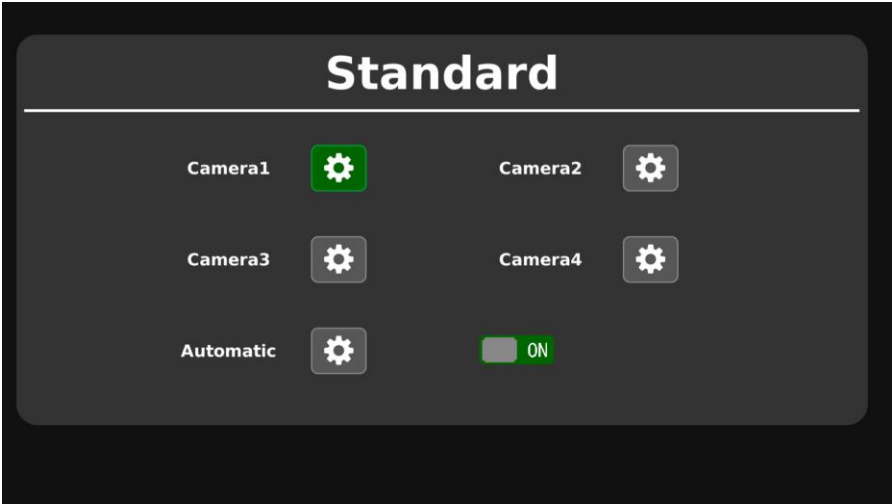


Pic.6.2.5.5


6.2.5.7 Standard

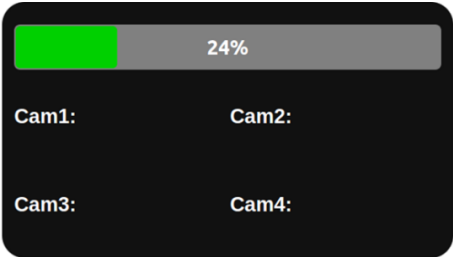
IR Instructions:

- ◀VOL / VOL▶ / UP / DOWN: Move the cursor.
- SEL: Enter sub Format menu.
- MENU: Return to the previous menu.



Pic.6.2.5.7-1


When automatic is on, multiplexer will automatically fit for input cameras. If automatic is off, the multiplexer will configure with user inputted settings. User is able to set input formats of corresponding cameras via icon  for each channel or turn on automatic to enter automatic configuration. There will be progressing of automatic configuration, and it will display information of recognized camera after 100% finished. Or the information will be empty if camera can't be recognized in automatic process.



Pic.6.2.5.7-2



Other Instructions:

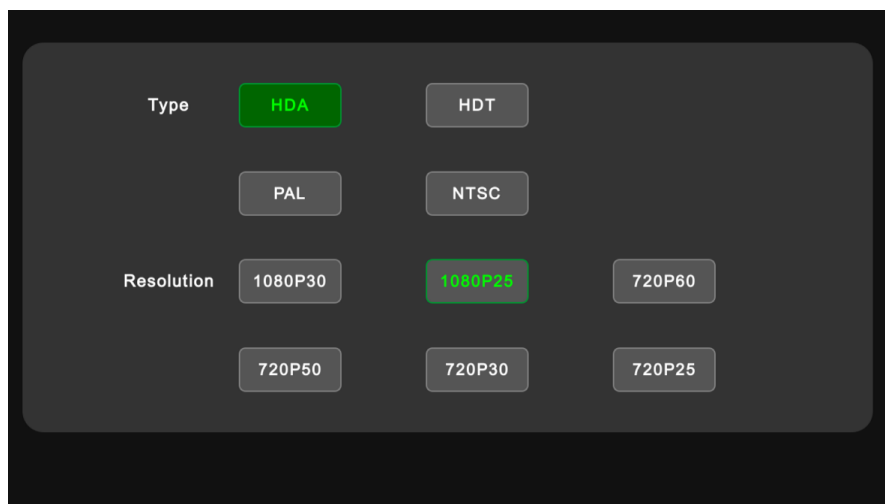
- When "Automatic" is turned ON, multiplexer will adjust camera display automatically. In this case, system setting in CAMERA 1~CAMERA 4 and auto configuration of "Automatic" won't work.

- When “Automatic” is turned OFF, multiplexer will respond to fixed system settings in menu of CAMERA1~CAMERA4. It allows the user to manually set each camera’s input format or auto configure via icon  in “Automatic” menu.
- Multiplexer won’t response to any press before progress bar reaches to 100%. User cannot exit this setting until the process is 100% finished.

6.2.5.7.1 Format menu

IR Instructions:



- VOL / VOL / UP / DOWN: Move the cursor.
- SEL: Select the chosen format. If PAL or NTSC is selected in “Type”, system won’t enter “Resolution” to adjust.
- MENU: When in “Type”, return to the previous menu. When in “Resolution”, return to “Type”.

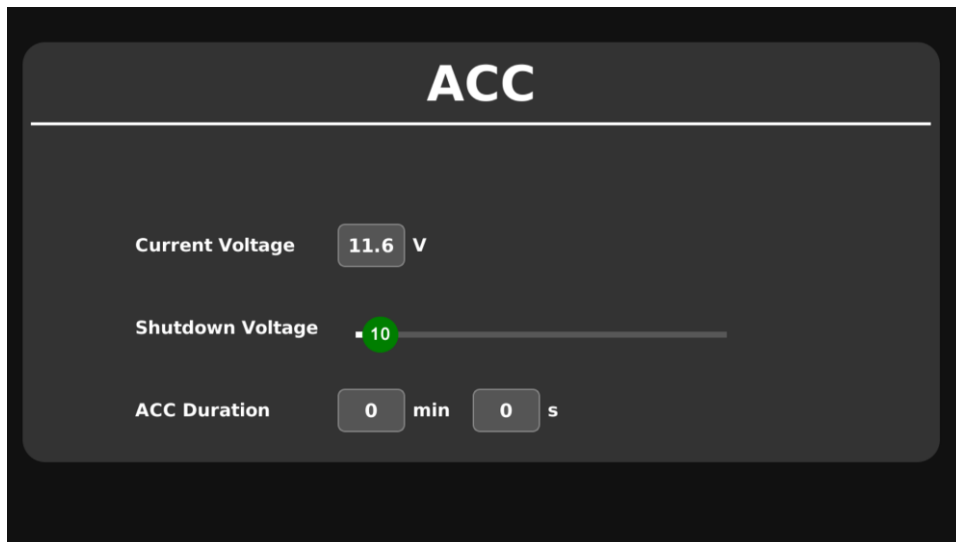


Pic.6.2.5.7.1

6.2.5.8 ACC

IR Instructions:

- VOL / VOL / UP / DOWN: Move the cursor.
- SEL: Select the chosen icon.
- MENU: Return to the previous menu.



Pic.6.2.5.8

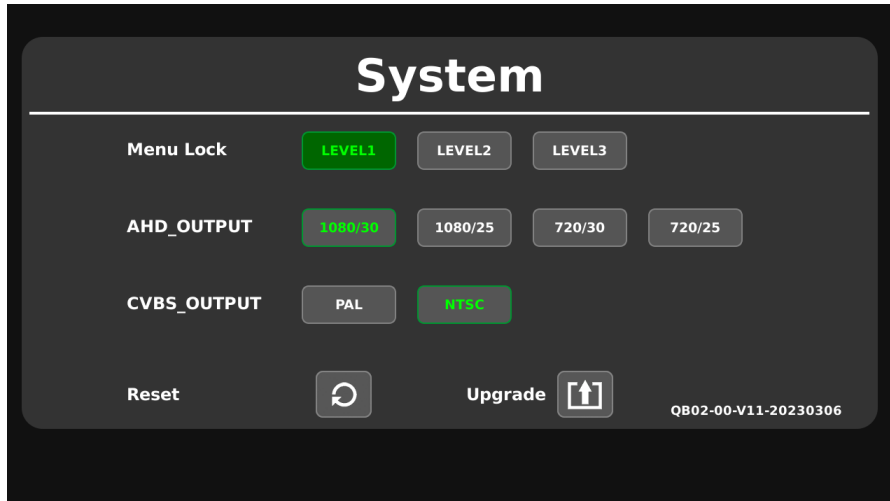
Feature Instructions:

- **Current Voltage:** Current operating voltage.
- **Shutdown Voltage:** When the current voltage is lower than the shutdown voltage, the split box will automatically shut down; when the voltage is higher than the shutdown voltage, the split box will restart.
- **ACC Duration:** The split box will continue to work for a while after ACC is disconnected. The ACC delay time can be set from 0s to 120 minutes.

6.2.5.9 System

IR Instructions:

- ◀VOL / VOL▶ / UP / DOWN: Move the cursor.
- SEL: Select the chosen icon.
- MENU: Return to the previous menu.



Pic.6.2.5.9

Feature Instructions:

- **Menu Lock:** Degree of menu lock. There are 3 levels of menu lock:
 - 1) LEVEL1: All buttons fail to response.
 - 2) LEVEL2: All buttons fail to response except for POWER, ◀VOL or VOL▶.
 - 3) LEVEL3: No response to MENU key of IR Remote.
- **AHD_OUTPUT:** The resolution and frame of the AHD video output.
- **CVBS_OUTPUT:** The standard of the CVBS video output.
- **Reset:** Reset all the menu settings.
- **Upgrade:** Upgrade the software.